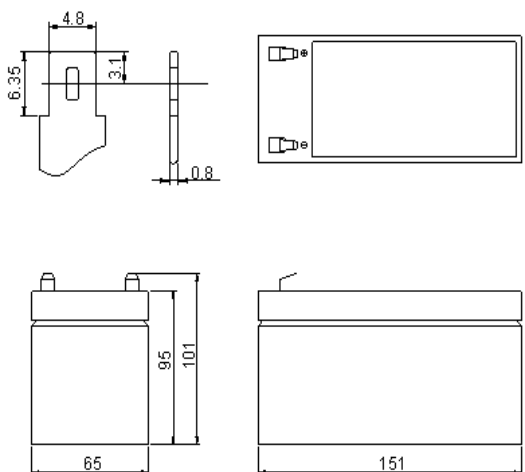


XERIDYNE

energy for secure life

PS7-12 (12V7Ah)



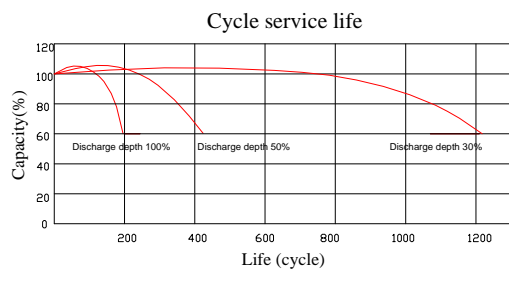
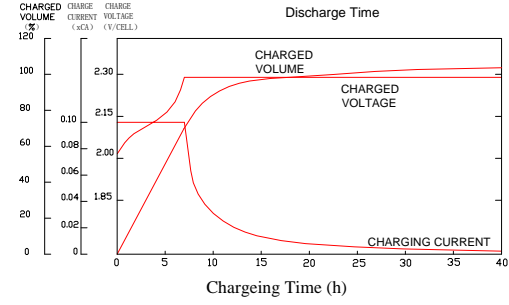
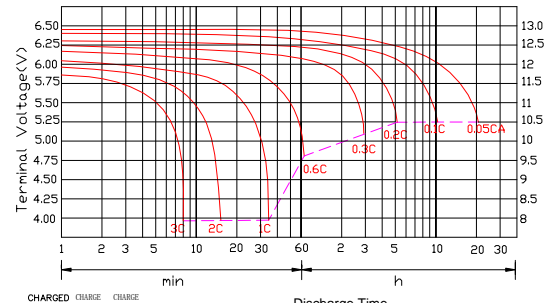
● Specifications

| | | |
|---------------------------|---------------------|----------------------------|
| Nominal Voltage | | 12V |
| Rated Capacity | | 7Ah |
| Dimensions | Total Height | 3.98 inches (101mm) |
| | Height | 3.74 inches (95mm) |
| | Length | 5.94 inches (151mm) |
| | Width | 2.56 inches (65mm) |
| Approximate Weight | | 4.52 lbs. (2.05kg) |

● Characteristic

| | | |
|--|--|---|
| Capacity 77°F(25°C) | 20h rate | 7.00Ah |
| | 10h rate | 6.50Ah |
| | 5h rate | 5.95Ah |
| | 1h rate | 4.20Ah |
| | 15 min rate | 3.15Ah |
| Internal Resistance | Full Charged Battery 77°F(25°C) | 25m Ω |
| Capacity Affected by Temperature (20h rate) | 104°F(40°C) | 102% |
| | 77°F(25°C) | 100% |
| | 32°F(0°C) | 85% |
| | 5°F(-15°C) | 65% |
| Self-Discharge 68°F(20°C) (Capacity after) | 3 month storage | 90% |
| | 6 month storage | 80% |
| | 12 month storage | 60% |
| Max. Discharge Current 77°F(25°C) | 105A(5s) | |
| Terminal | T1, T2 | |
| Charge (Constant Voltage, 25°C) | Cycle | 14.5~14.9V(-24mV/°C) max. current: 2.1 A |
| | Float | 13.6~13.8V(-18mV/°C) |

DISCHARGE CHARACTERISTICS AT 25° C(77° F)



Constant Current Diacharg Characteristics (A, 25°C)

| F.V/TIME | 5min | 10min | 15min | 30min | 60min | 3h | 5h | 10h | 20h |
|----------|------|-------|-------|-------|-------|------|------|------|------|
| 9.60V | 27.0 | 18.0 | 14.0 | 8.40 | 4.70 | 1.73 | 1.15 | 0.71 | 0.37 |
| 10.2V | 25.7 | 17.1 | 13.4 | 8.06 | 4.55 | 1.70 | 1.13 | 0.70 | 0.36 |
| 10.5V | 24.2 | 16.1 | 12.7 | 7.66 | 4.35 | 1.65 | 1.10 | 0.68 | 0.35 |

Constant Current Diacharg Characteristics (Watt, 25°C)

| F.V/TIME | 5min | 10min | 15min | 30min | 60min | 3h | 5h | 10h | 20h |
|----------|------|-------|-------|-------|-------|------|------|------|------|
| 9.60V | 301 | 203 | 160 | 94.2 | 54.4 | 20.6 | 13.8 | 8.52 | 4.43 |
| 10.2V | 287 | 191 | 153 | 90.4 | 52.7 | 20.2 | 13.6 | 8.40 | 4.33 |
| 10.5V | 270 | 180 | 145 | 86.0 | 50.4 | 19.6 | 13.2 | 8.17 | 4.21 |